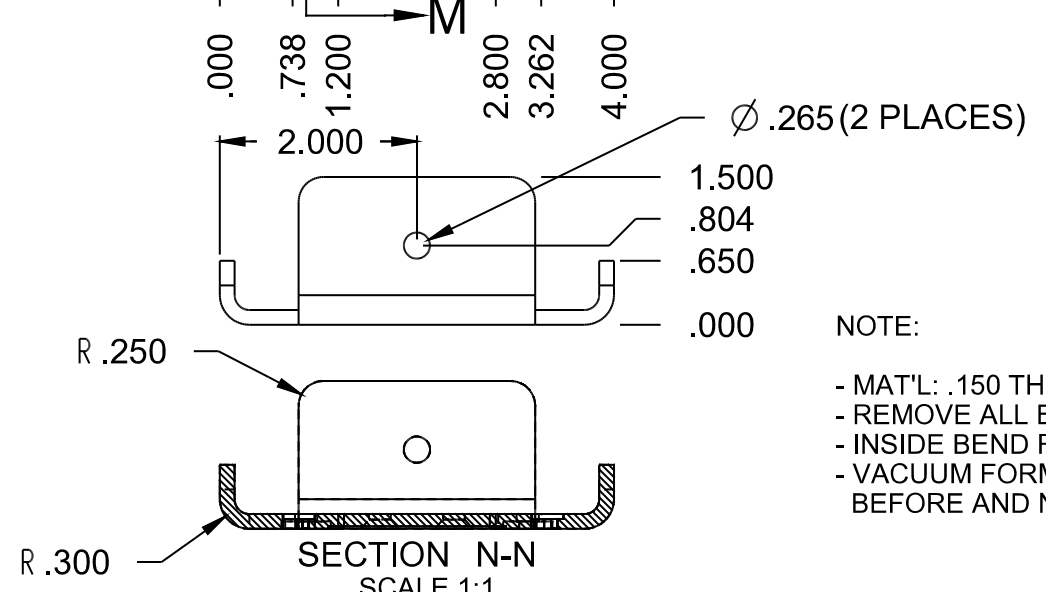
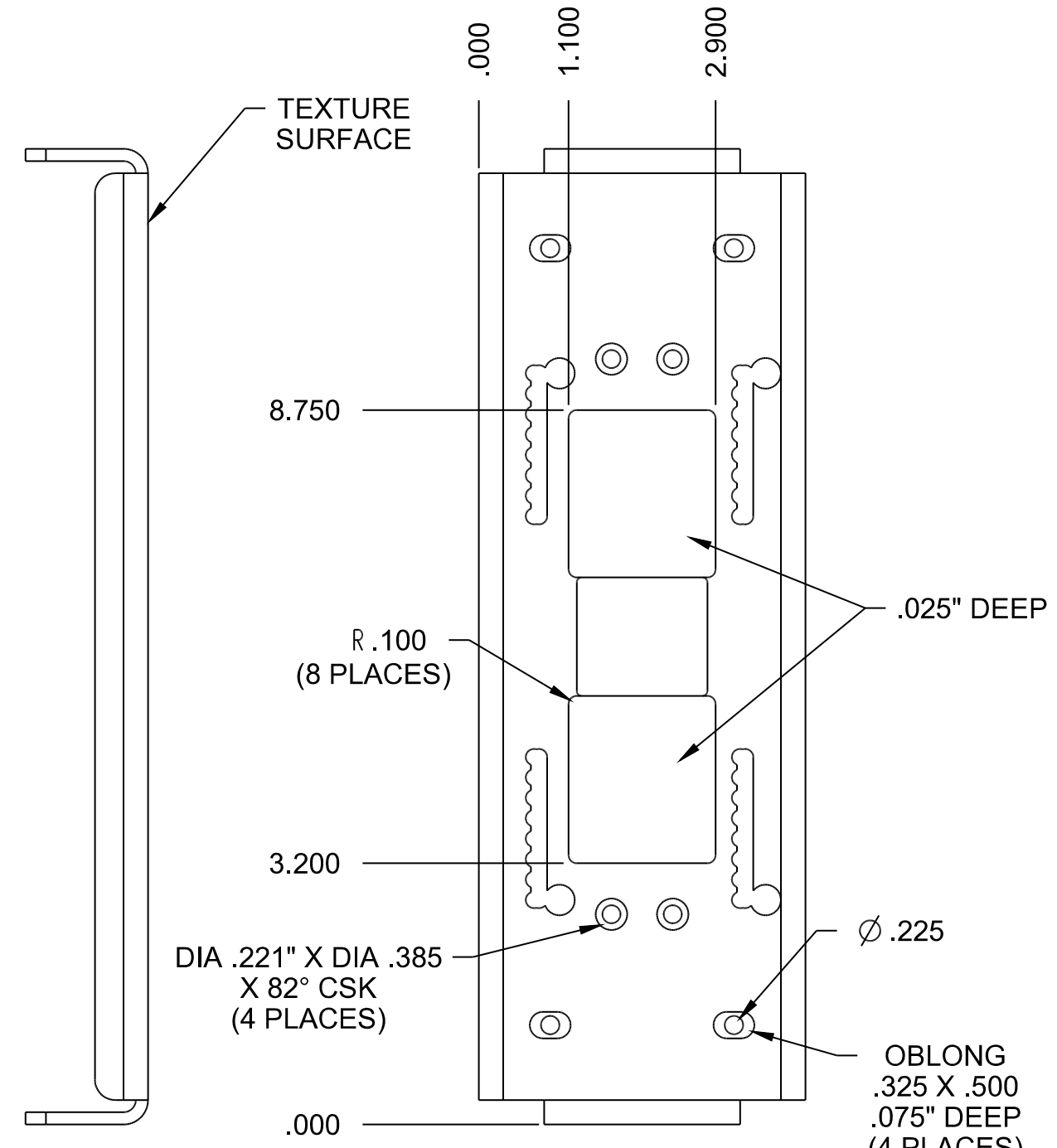
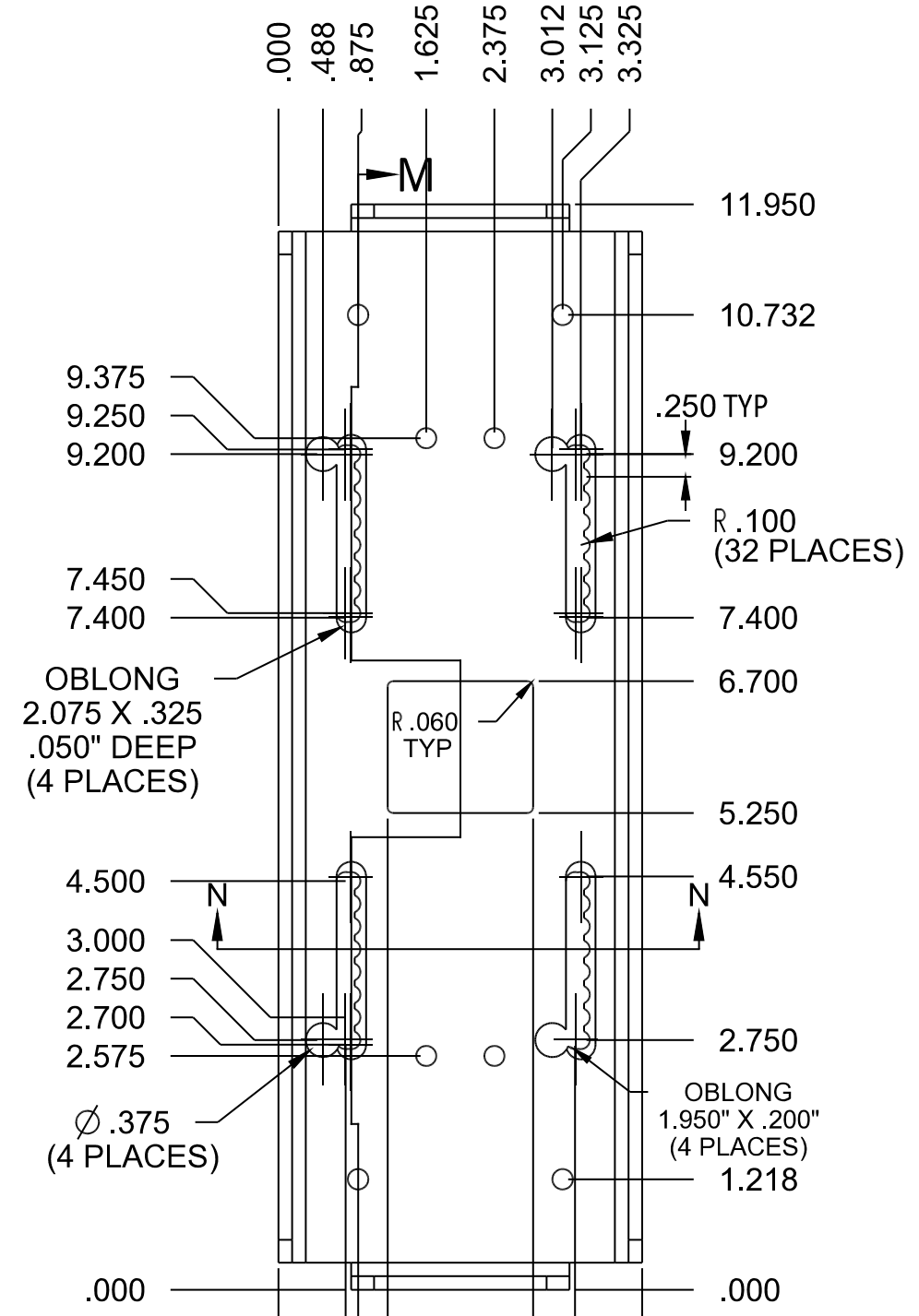


SECTION M-M
SCALE 1:1



- NOTE:
- MAT'L: .150 THK, HIGH IMPACT BLACK ABS SHEET.
 - REMOVE ALL BURRS.
 - INSIDE BEND RADIUS TO BE .150" MIN.
 - VACUUM FORMED PART, MAT'L THICKNESS IS BEFORE AND NOT AFTER MOLDING,

ALL DIMENSIONS ARE IN INCHES

QTY PER - # / QTY PER - #	ITEM	NUMERO DE PIECES POSITRON POSITRON PART NUMBER	DESCRIPTION	NUMERO DE PIECES MANUF MFG PART NUMBER	REF DES	NOTE
CONFIDENTIEL		CONFIDENTIAL		LISTE DE PIECES / PARTS LIST		
Le contenu de ce document est la propriété exclusive de Positron Inc. à l'exception des renseignements dont du document doit.		The information contained in this document is the property of Positron Inc. except as specifically authorized in writing by Positron Inc. The holder of this document.		PAGE / SHEET 1 DE 1		
1) en assurer le caractère confidentiel et empêcher la divulgation et la diffusion totale ou partielle du contenu à un tiers.		1) shall keep all information contained herein confidential and shall protect same in whole or in part from disclosure and dissemination to all third parties.		TITRE/TITLE SUPPORT, PLATE		
2) l'utiliser aux fins d'exploitation et d'entretien seulement.		2) shall use same for operating and maintenance purposes only.		DESSIN/DRAWN BY LUC POULIN 14 FEV 2024		
TOLERANCES		REF		SCALE ÉCHELLE		
±	.XX	.XXX	DIA	VERIF. PAR / CHECKED BY		
±	± .02	± .010	± .003	APPR. PAR / APPR. BY		
MAT:	PROCHAIN ASS: NEXT ASSY:		GRANDEUR D SIZE		NUMERO DE DESSIN / DRAWING NO. 600-00240-005	
FIN:	UTILISER: USED ON:		D		RELACHER / RELEASE	